

# Rakula™ CCT/Wattage selectable

Installation instructions for LED commercial downlights



## Warnings & Cautions

- To avoid electric shock, serious injury or property damage, isolate power before installing, removing or servicing the product.
- It is recommended that luminaires are installed by a qualified electrician to ensure the installation complies with the local current wiring regulations.
- Any broken or damaged parts should be replaced as soon as possible. JCC will not accept responsibility for claims arising from sub-standard installations; which will void the warranty.
- It may be necessary to upgrade your MCBs to allow for increased inrush current.
- This product is suitable for indoor use only
- Read instructions and check that you have all of the tools and accessories required to complete the installation correctly. Isolate power supply before starting installation.
- This product is designed for connection to a 220-240V~ 50/60Hz.

## INSTALLATION

ENGLISH

**Figure 1. Electrical connection**  
220-240V~ 50/60Hz / Class II

LIVE = BROWN  
NEUTRAL = BLUE

Double insulated- no earth required

**Figure 1.a. Switch-dimmable connection**

**Figure 2.**

**Note: the non-dimmable version driver terminal connection is an 8 pole loop in/loop out with earth provision and permanent live for continuous wiring.**

To access the terminals inside the driver housing, open the top and bottom hinged covers as shown above.

Wiring preparation: 8mm, 0.75-1.5mm<sup>2</sup>

Legend:  
Ls = Live switched  
Lp = Live permanent  
E = Earth  
N = Neutral

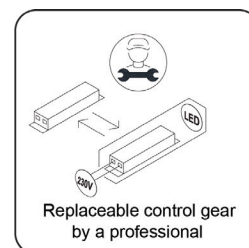
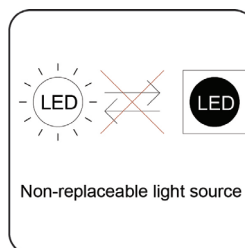
Table A

Code	Wattage	Dimmable	Colour Temperature	Lumens (up to)	LpcW (up to)
JC74000	7/10W	Non-dimmable	3000/4000/5700K	1180	118
JC74001	7/10W	Triac	3000/4000/5700K	1120	112
JC74002	7/10W	DALI/1-10V/Sw dim	3000/4000/5700K	1120	112
JC74003	14/20W	Non-dimmable	3000/4000/5700K	2380	119
JC74004	14/20W	Triac	3000/4000/5700K	2380	119
JC74005	14/20W	DALI/1-10V/Sw dim	3000/4000/5700K	2380	119
JC74006	20/28W	Non-dimmable	3000/4000/5700K	3280	117
JC74007	20/28W	Triac	3000/4000/5700K	3150	113
JC74008	20/28W	DALI/1-10V/Sw dim	3000/4000/5700K	3150	113
JC74009	24/35W	Non-dimmable	3000/4000/5700K	4270	122
JC74010	24/35W	DALI/1-10V/Sw dim	3000/4000/5700K	4270	122
JC74011	35/50W	Non-dimmable	3000/4000/5700K	6070	121
JC74012	35/50W	DALI/1-10V/Sw dim	3000/4000/5700K	6070	121

- Cut the mounting hole in the ceiling (refer to Table B). (JCC recommends that a sample hole is cut in a section of spare material to familiarize yourself with the process).
- Ensure there is a minimum of 75mm space around the fitting. **DO NOT COVER** the fitting with insulation as indicated by this symbol on the luminaire.
- Connect the mains supply to the luminaire driver as above. Fig 1/1.a/2 depending on whether dimmable on non dimmable.
- Select preferred colour temperature using the switch on the rear of the fitting. **(Always isolate power before changing CCT)**
- Turn on the power supply to test the fitting. Once satisfied that the luminaire is functioning correctly, press the spring clips against the side of the luminaire and fit into the aperture.

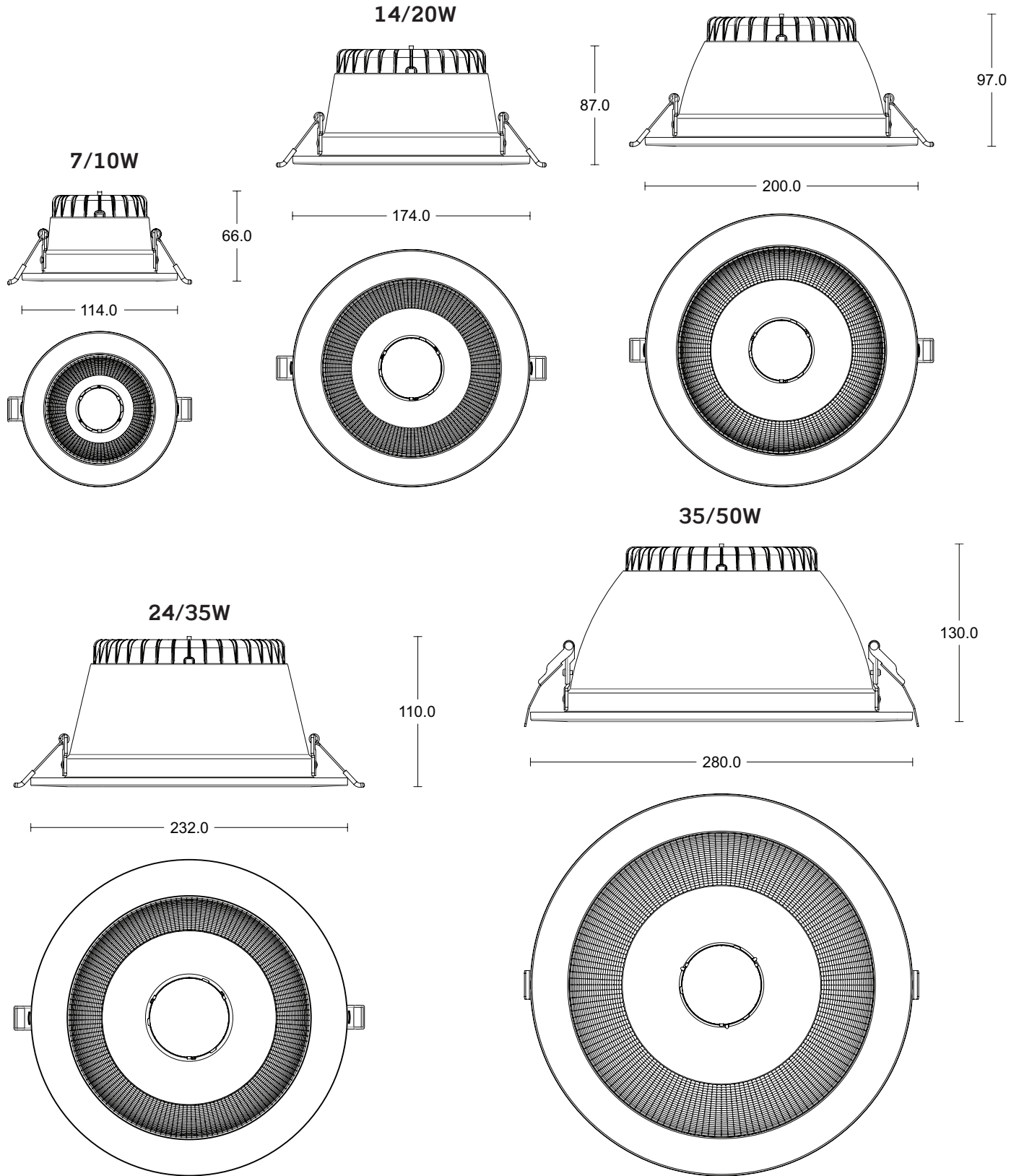
Table B

Skydisc™ IP65	Driver output VDC Non-dim	Driver output VDC Triac	Driver output VDC DALI	Cut out size
7/10W	30-40VDC	30-40VDC	14-42VDC	Ø90mm-102mm
14/20W	30-40VDC	30-40VDC	14-42VDC	Ø145mm-155mm
20/28W	30-40VDC	30-40VDC	14-42VDC	Ø165mm-180mm
24/35W	30-40VDC	N/A	14-42VDC	Ø195mm-210mm
35/50W	30-40VDC	N/A	14-42VDC	Ø240mm-255mm



You can help protect the environment. Please remember to respect the local regulations: hand in the non-working electrical equipment to an appropriate waste disposal centre. The packaging material is recyclable. Dispose of the packaging in an environmentally friendly manner and make it available for the recyclable material collection service.

# Profile & Dimensions








**jcc.co.uk**

All dimensions in millimetres

## Important warranty information

This product is supported by a 2-year standard warranty which will extend to 5-years if registered within the first year of purchase. Please register at [jcc.co.uk/warranty](http://jcc.co.uk/warranty) (Terms and conditions apply).

The installer will be asked to provide the following information, which is detailed on a label attached to the luminaire's chassis: Product Code/Date Code.

BS EN ISO9001 - 2015 - Registered Firm Certificate No. GB 1552  
 JCC Lighting Products Ltd. Lux Park, Chichester Business Park, City Fields Way, Tangmere, Chichester, West Sussex, PO20 2FT  
**Technical Support: +44(0)1243 838986 Customer Services: +44(0)1243 838999**