

X50™ Fire-rated Tilt Downlight

Installation instructions for X50™ Tilt downlight



- To avoid electric shock, serious injury or property damage, isolate power before installing, removing or servicing the product
- It is recommended that luminaires are installed by a qualified electrician and the installation complies with the local current wiring regulations.
- Any broken or damaged parts should be replaced as soon as possible. JCC will not accept responsibility for claims arising from sub-standard installations.
- It is recommended that the ambient room temperature should not exceed 25°C.
- These products are designed for connection to a mains supply of 230-240V~ 50/60Hz
- Once installed connector should remain out of arms reach
- It may be necessary to upgrade your MCBs to allow for increased inrush current.
- This Fire-rated downlight can be loosely covered with mineral wool insulation
- Do not carry out insulation tests with the product connected to the circuit
- For dimming guidelines please go to: jcc.co.uk/dimming
- Read the instructions and ensure that you have all of the tools and accessories required to complete the installation correctly.
- Isolate power supply before starting the installation.
- **Maximum number of fittings on a circuit is not to exceed 30**

INSTALLATION INSTRUCTIONS

ENGLISH

Product	Wattage	Lumens	LpcW	IP
Tilt	3.5/5W	480/700lm	137/140	IP65 (front only)

Specification : CCT:(WW)3000K/(NW)4000K/(CW)5700K (Wattage & CCT Switchable) Ra: 83-86

Finish options: Brushed Nickel (BN), Chrome (CH), White (WH)

This product may require the installer to work at height, it is recommended that the Work at Height Regulations 2005 (WAHR) are followed to avoid injury.

Installation Procedure for Tilt X50™

1. Cut the mounting hole in the ceiling; if you are unfamiliar with this process JCC recommends that a sample hole is cut in a section of spare material. Please note that the Tilt & Standard versions have different diameter mounting holes (Fig. 1).

Fig.1: Cut-out Diameter
X50™ Tilt = Ø83mm

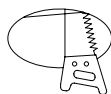


Fig. 2: Mains input 230 - 240V 50/60Hz / Class II

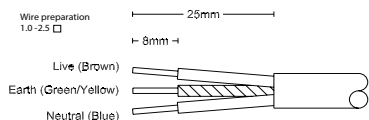
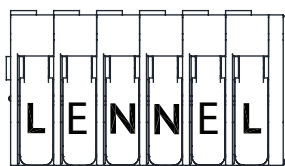
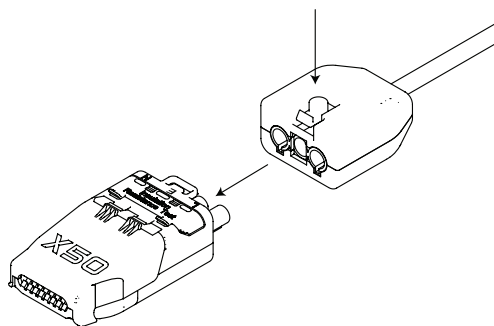


Fig. 3: Mains Input Terminals

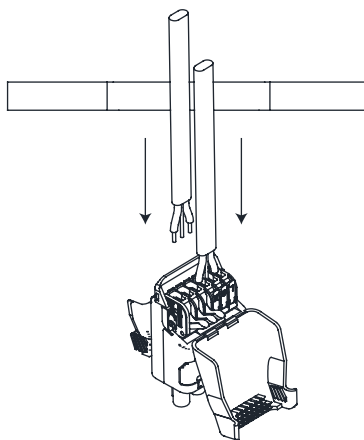


LENNEL

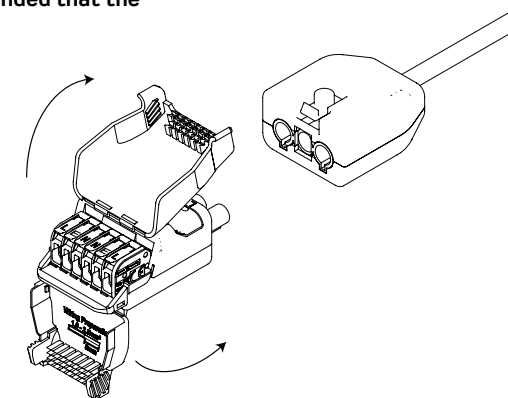
Note: the Tilt X50 is Class II and earth is provision only



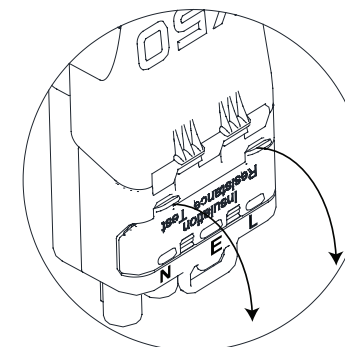
2. To separate the mains input terminal from the fitting connector, push the release button on the top as indicated above and pull to release.



4. Connect mains input connections.

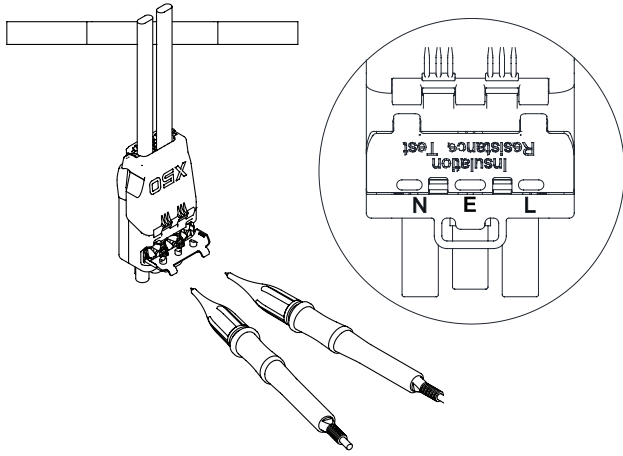


3. Open the hinged top and bottom terminal cover to access the mains input connections shown in Fig.3.

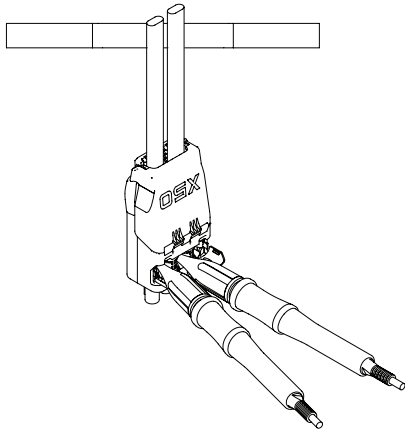


5. Once all connections have been made and the double hinged terminal covers are closed, release the clear cover on the top of the connector to access the terminals to carry out insulation tests on the circuit.

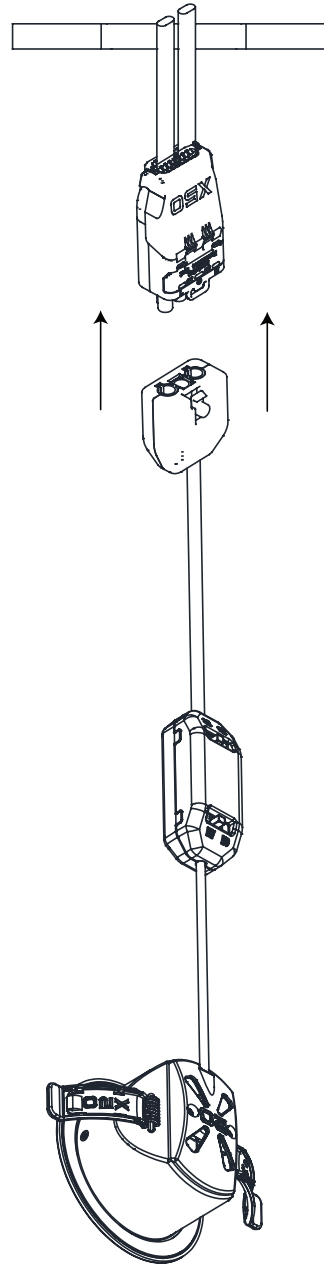
DO NOT CONNECT FITTING IF CARRYING OUT RESISTANCE TESTS



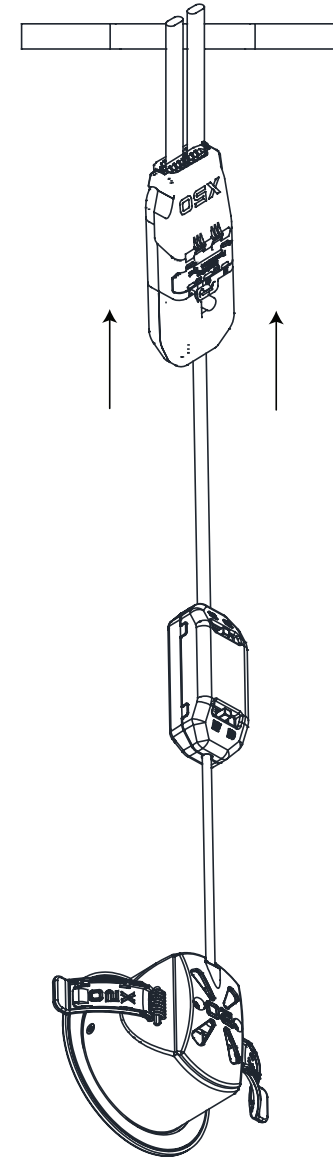
6. With mains supply terminated in the connector and the clear access panel open, you can carry out your required tests.



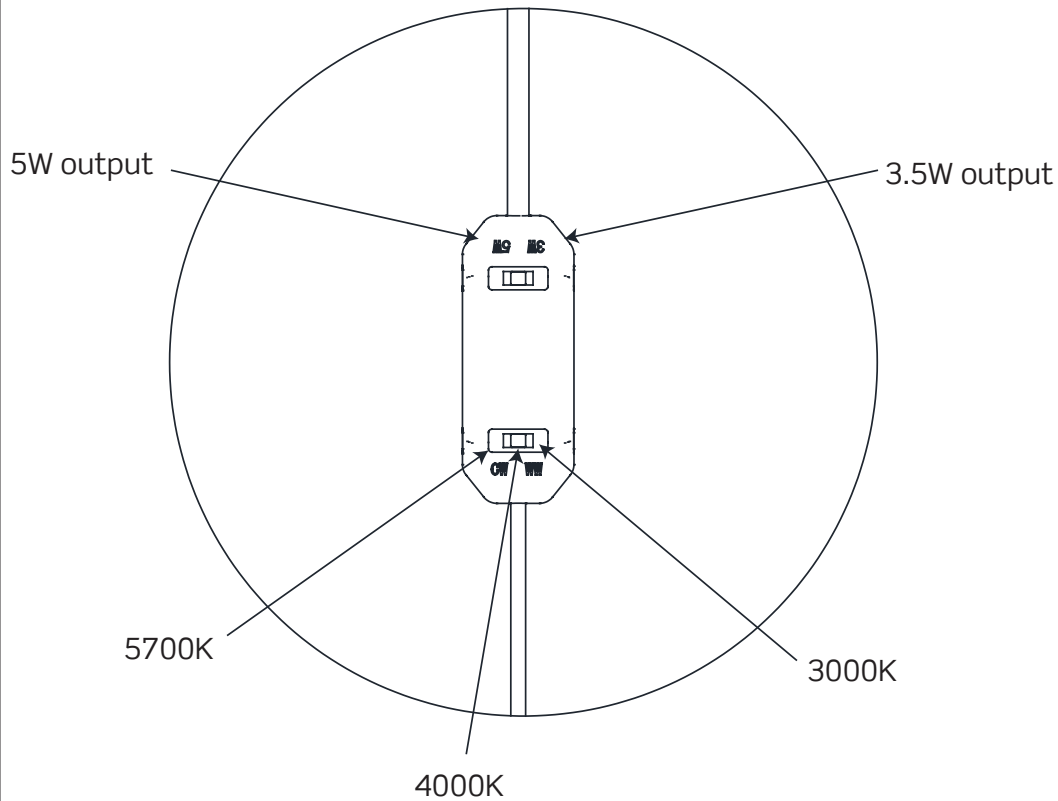
7. Insert test probes to carry out tests, once completed refit the clear cover isolating the test connections.



8. Re-connect the main body to the connector making sure that the connector is secure.

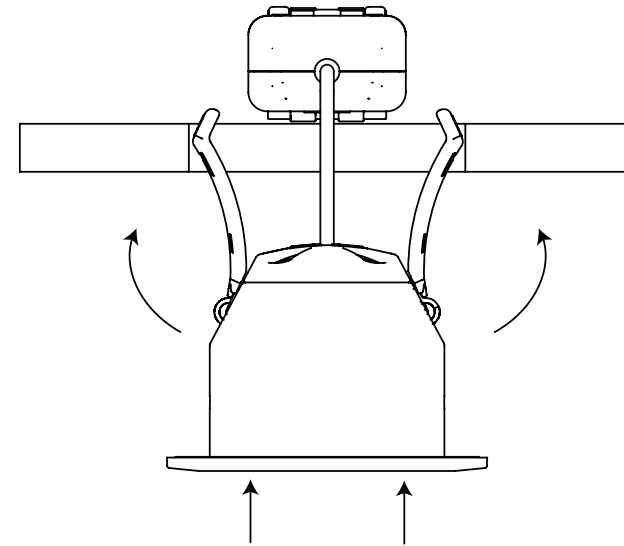


9. Once the fitting is secure and connected correctly, feed the connector and cable into the cut out in preparation to install the fitting into the ceiling.



10. Move the power or CCT switch to the desired colour temperature or power setting on the inline driver, prior to completing the installation.

NOTE: 15° TILT ONLY (DOES NOT ROTATE ONCE INSTALLED)
MAKE SURE YOU HAVE THE TILT ORIENTATED FOR THE REQUIRED LIGHT OUTPUT DIRECTION PRIOR TO INSTALLING INTO THE CEILING



11. Push the spring clips upwards to the top of the fitting and hold in position, at the same time push the driver and the fitting up into the cut out. Once the spring clips have passed the opening push the fitting up into the hole.

Important warranty information

This product is supported by a 2-year standard warranty which will extend to 3 years for commercial applications and 5 years for domestic applications if registered within the first year of purchase. Please register at jcc.co.uk/warranty (Terms and conditions apply).

The installer will be asked to provide the following information, which is detailed on a label attached to the luminaire's chassis:
 Product Code/Date Code.

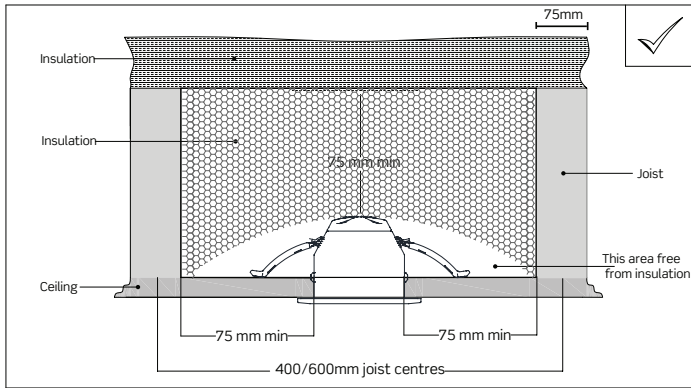


ISO9001 - 2015 - Registered Firm Certificate No. GB 1552
 JCC Lighting Products Ltd. Lux Park, Chichester Business Park, City Fields Way, Tangmere, Chichester, West Sussex, PO20 2FT

Technical Support: +44(0)1243 838986 Customer Services: +44(0)1243 838999

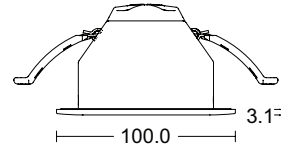
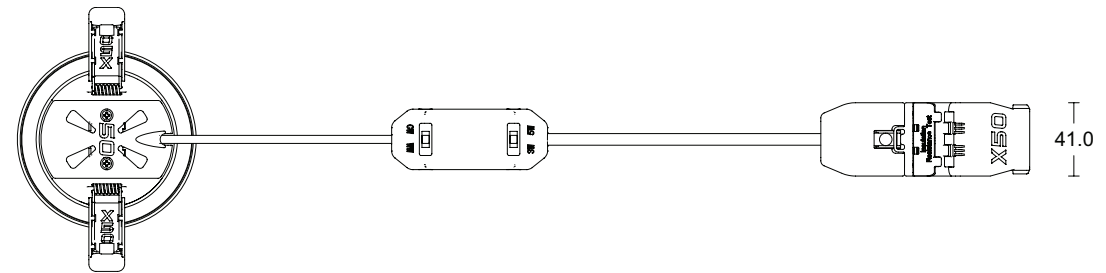
jcc.co.uk

V4_June_2024_RS

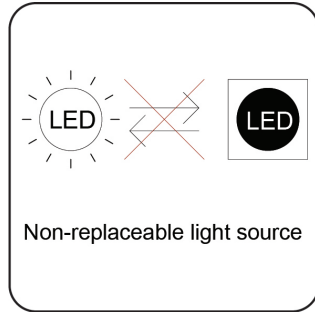
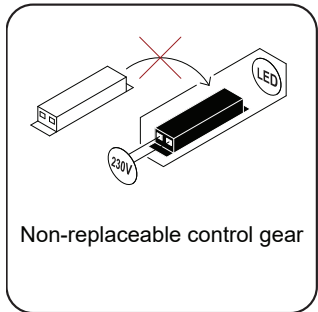
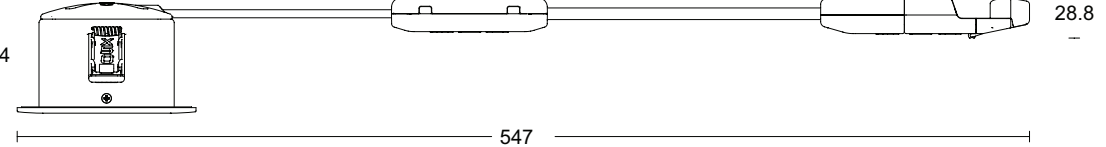


Profile & Dimensions

All dimensions in millimetres



58.4



Part B Fire Safety

The purpose of Part B is to ensure building structures provide adequate protection to personnel to allow the safe evacuation of a building structure/complex. The regulation has been a legal requirement since 1987. All Fire-rated fittings are tested for 30, 60 & 90 minute ceilings (selected I-Joist ceiling construction 30 & 60 minute compliant).

Part E Resistance to Sound

There is a general increase in the levels of background noise in a domestic environment. The Government has changed to the building regulations to ensure that reasonable noise attenuation can be expected between partition residential area. The special gaskets incorporated into the Fire-rated design ensure that the criteria is met.

Part L Conservation of Fuel and Power

The 2022 revision to Part L has focused on lighting installations regarding energy conservation. The requirement is that downlights installed in a new or existing domestic dwelling need to be energy efficient and have a minimum efficiency of 75 Lumens per circuit Watt.

You can help protect the environment. Please remember to respect the local regulations: hand in the non-working electrical equipment to an appropriate waste disposal centre. The packaging material is recyclable. Dispose of the packaging in an environmentally friendly manner and make it available for the recyclable material collection service.