


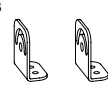






Toughbay™ Surface Mount Brackets

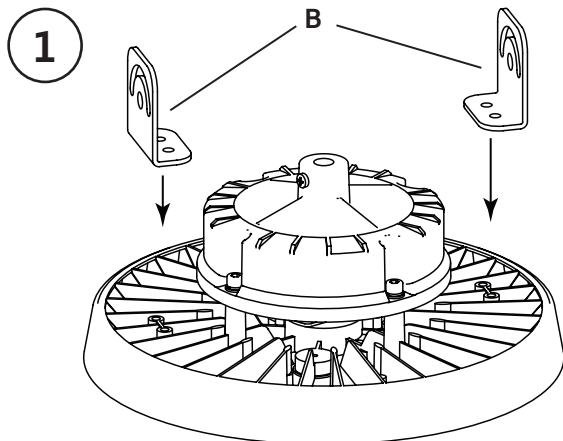
Installation instructions

INSTALLATION

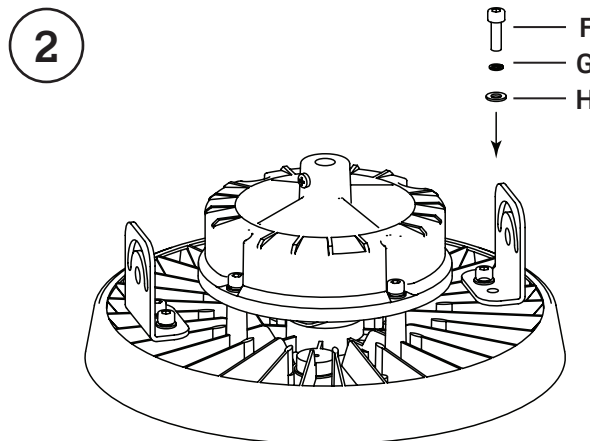
ENGLISH

Note: Brackets are only suitable for use with standard fittings. Not suitable for use with Sensor or Emergency versions.

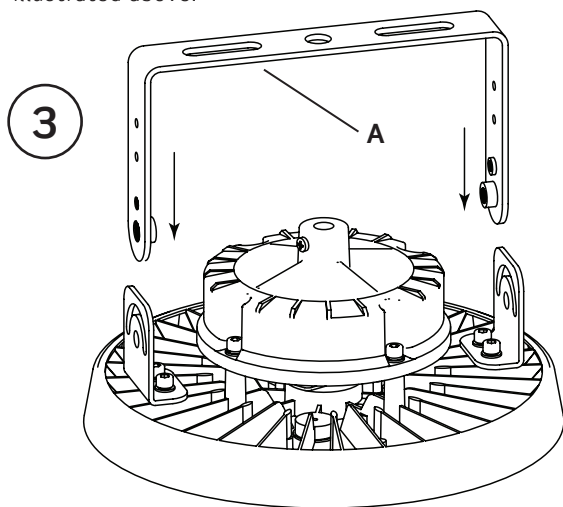
<p>A</p>  <p>"C" BRACKET - QTY 1</p>	<p>B</p>  <p>"L" BRACKET - QTY 2</p>	<p>C</p>  <p>HEX BOLT M8 X 20mm - QTY 2</p>	<p>D</p>  <p>SPRING LOCKING WASHER M8 - QTY 2</p>	<p>E</p>  <p>SHAKE PROOF WASHER M8 - QTY 2</p>	<p>F</p>  <p>HEX BOLT M5 X 16mm - QTY 6</p>	<p>G</p>  <p>SPRING LOCKING WASHER M5 - QTY 6</p>	<p>H</p>  <p>SHAKE PROOF WASHER M5 - QTY 6</p>
---	---	--	--	---	--	--	---



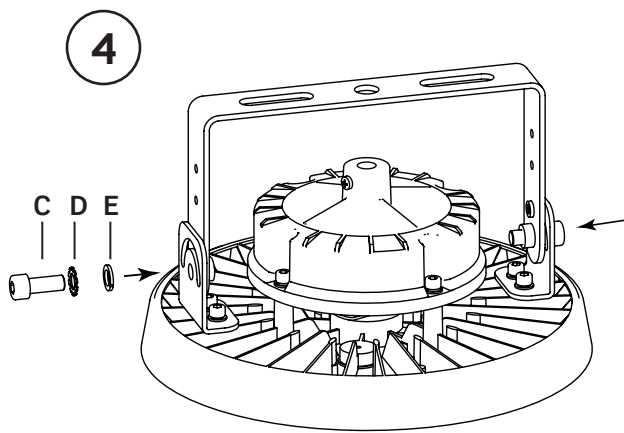
Place 2 x "L" brackets (B) on the top of the fitting as illustrated above.



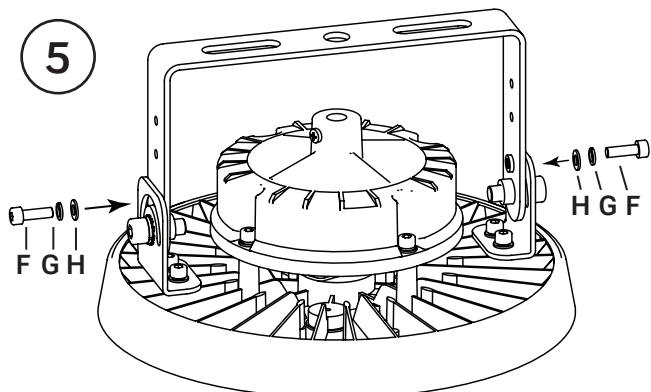
Secure the "L" brackets with 4 x M5 x 16mm hex bolts (F), ensuring that the M5 spring locking washers (G) and M5 shake proof washers (H) are used.



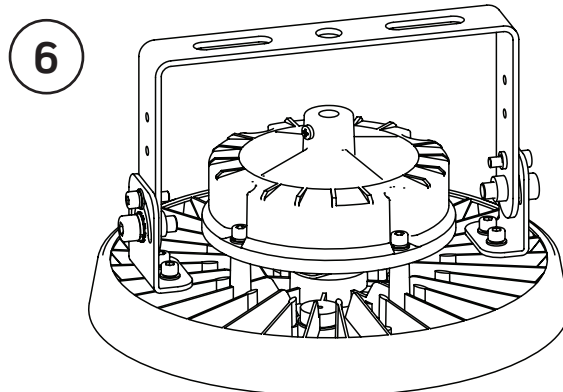
Place the "C" bracket (A) as illustrated above and align the threaded holes with the holes on the "L" brackets



Secure the "C" bracket to the "L" brackets with 2 x M8 x 20mm hex bolts (C) in the bottom holes, ensuring that the M8 spring locking washers (D) and M8 shake proof washers (E) are used.



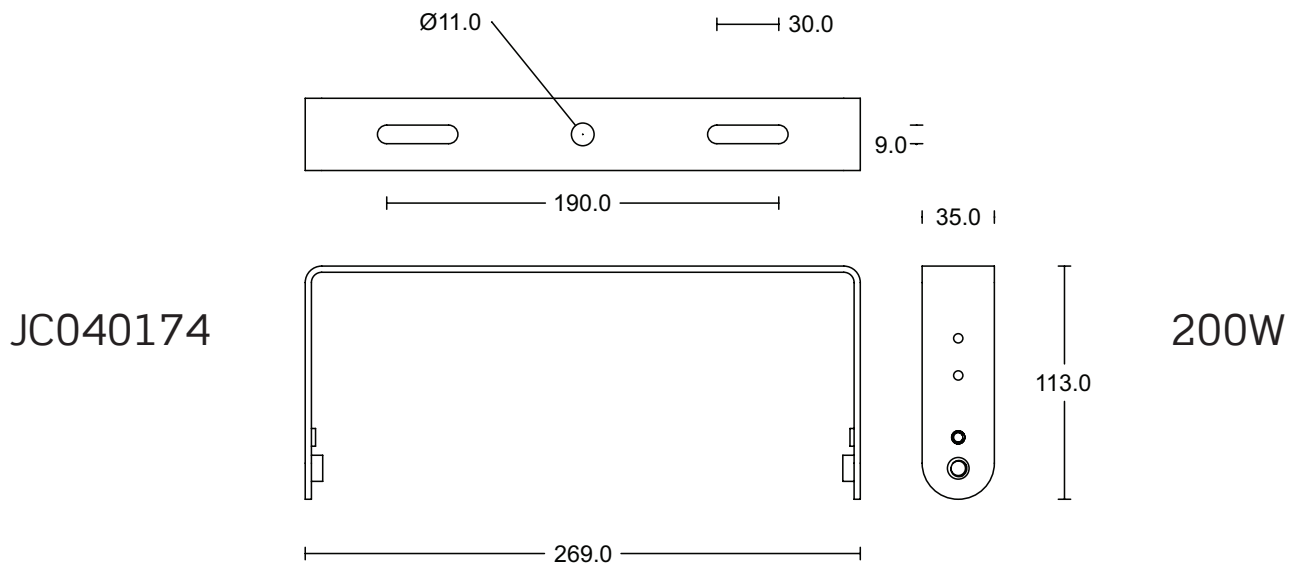
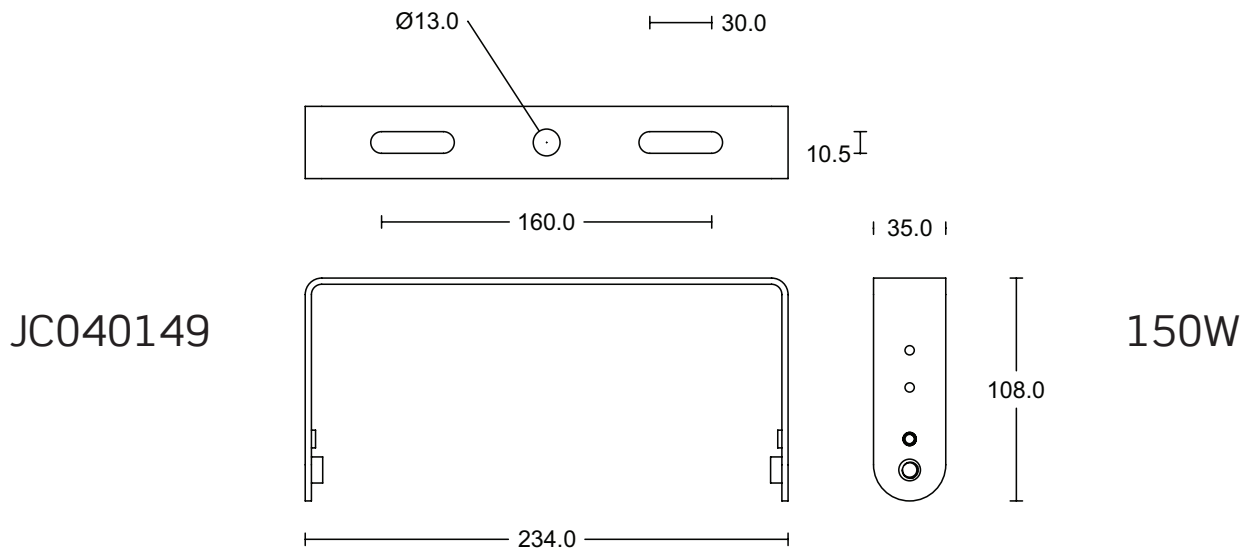
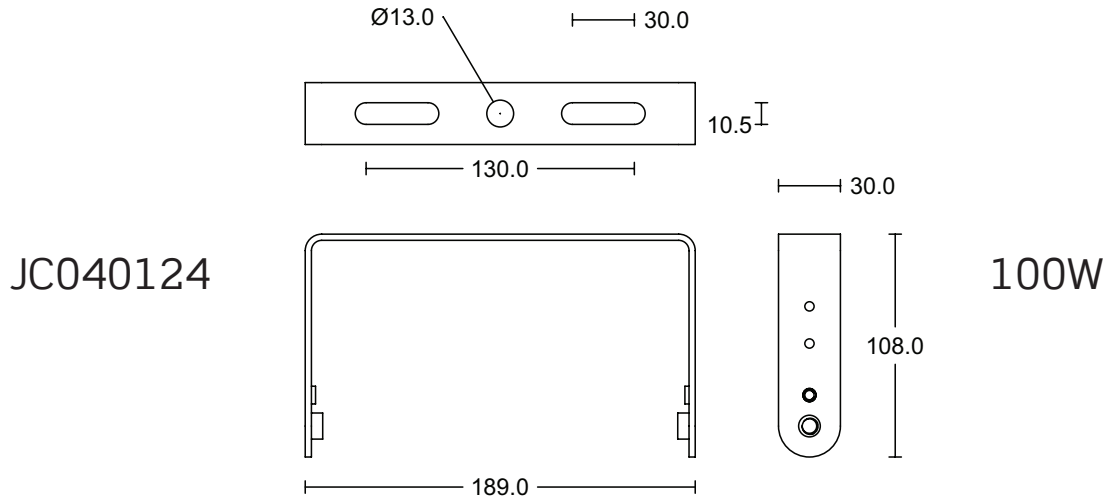
Fit the 2 x M5 x 16mm hex bolts (F) to the threaded holes above the M8 hex bolts, ensuring that the M5 spring locking washers (G) and M5 shake proof washers (H) are used.



Once installed the bracket will look like the above illustration if installed correctly. Please refer to the profile drawings for mounting hole sizes and dimensions.

Profile & Dimensions

All dimensions in millimetres



Important warranty information

This product is supported by a 2-year standard warranty. (See website for terms and conditions). (Bracket only)